

INERTIAL MEASUREMENT UNIT

The Techmor IM-1 is a complete motion-sensing platform, consisting of a full, Six Degree-of-Freedom Inertial Measurement Unit that senses Roll, Pitch, and Yaw Rates, as well as X, Y, and Z Accelerations. The IM-1 utilizes 3rd-Generation, Silicon Micro-Machined Technology to offer unprecedented performance in a compact unit with simple, 4-wire CAN Bus Output.

Features

6-30V DC Power

+/- 150 deg/s Angular Rate Gyros

+/- 18g X,Y,Z Accelerometers

Bias Stability 0.007 deg/sec

Bandwidth 0 to 100Hz

Temperature Compensated -40C to +105C

Precise Factory Aligned 3-Axis

Resonant Frequency >14kHz

.3m Cable with Oil and Fuel-Resistant Jacket

Deutsch Autosport Connector

Applications

Vehicle Testing

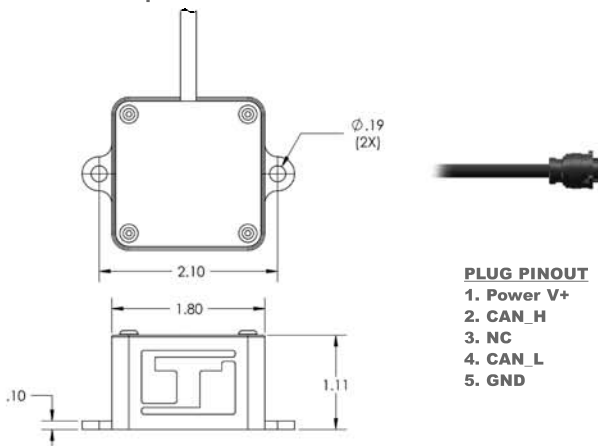
Autonomous Vehicles

Motion Tracking

Navigation

Stability Control

IM-1



PLUG PINOUT

1. Power V+
2. CAN_H
3. NC
4. CAN_L
5. GND

Ordering Info:

IM-1

Rev C 5-30-10



www.techmor.com

Techmor Inc.
3001 Campfire Court
Jamestown, NC 27282
Email: info@techmor.com
Phone: (336) 442-3686