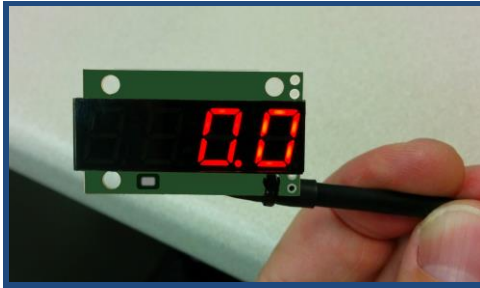


ND-1 Numeric Display



Product Highlights

The Techmor ND-1 unit displays 4 digits from a 0-5V Analog Voltage Input or a High Speed CAN Bus. The unit features a button to zero the current value when pressed. Applications include dashboard displays, remote meters, and portable sensor displays.

FEATURES

- 4 Digit LED Numbers
- Easy-to-Read
- 6-24V Operation
- Lightweight
- Programmable Gain and Offset (via CAN Bus)
- Zero/Offset Button
- Non-Volatile Settings
- Flexible Calibrations

APPLICATIONS

- Dashboard Displays
- Custom Meters
- Remote Displays
- Electronic Tools
- Sports Displays

RELATED PRODUCTS

Techmor offers many sensors to drive the ND-1 including:

- Temperature
- Pressure
- Load
- Torque

ADDITIONAL INFORMATION

More information can be found at:

www.techmor.com



Techmor, Inc.
19911-D North Cove Road
Cornelius, NC 28031
Phone: (704) 769-0001
Email: info@techmor.com

Datasheet #: Techmor ND-1
Revision #: A
Date: 1/10/2015

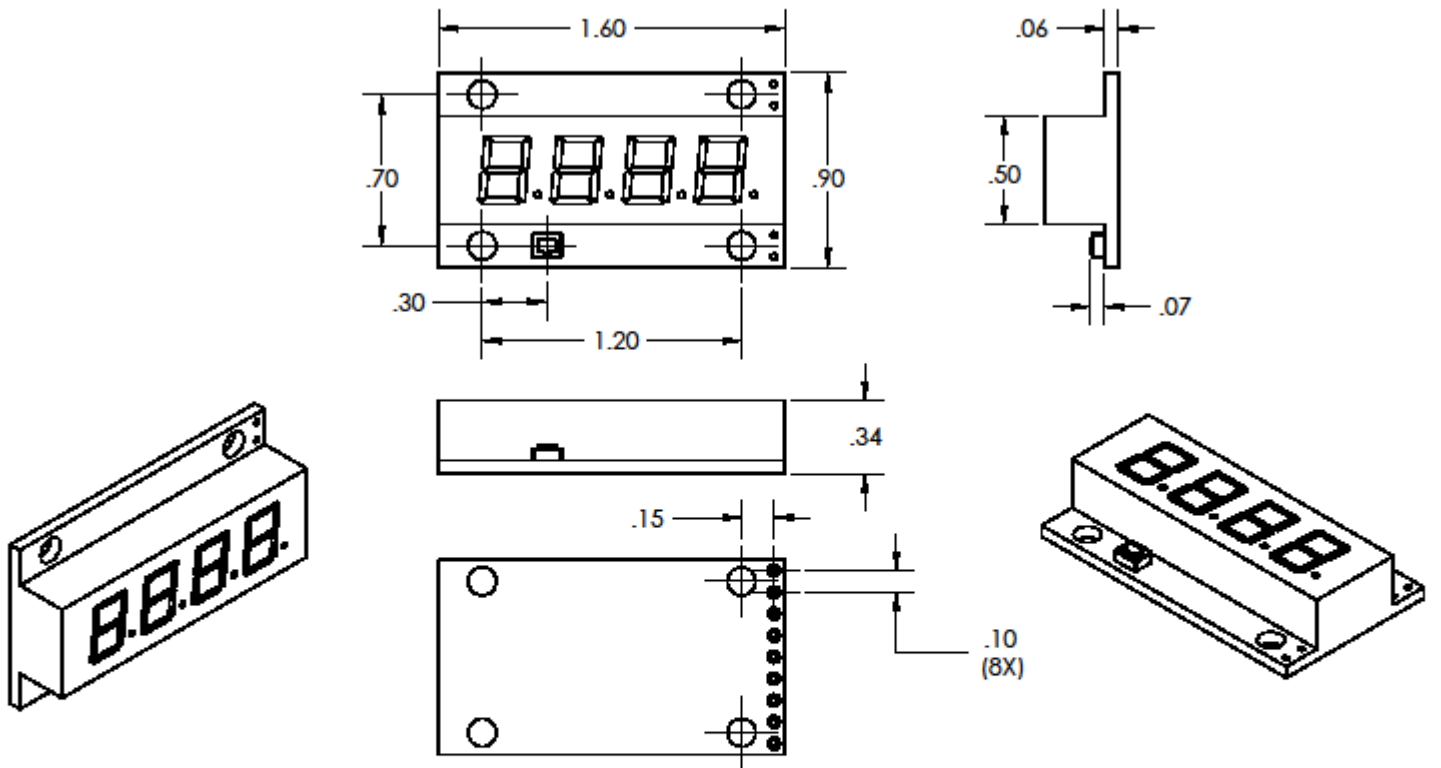
Technical Specifications

Electrical		
Power	6 to 24	volts
Analog Input	0 to 5	volts
Current	80	mA

Mechanical	
Dimensions	1.6 in x 0.9 in x 0.4 in (41 mm x 23 mm x 10 mm)
Digit Height	0.39 in (10 mm)
Weight	8 grams

Wiring	
Power	
Ground	
5V Out	
Analog Input 0-5V	
CAN High	
CAN Low	

This document is copyright © January 11, 2015 Techmor Inc. All rights reserved. This document is provided for information purposes only; contents are subject to change without notice. It is not warranted to be error-free, nor subject to any other warranties or conditions including implied warranties and conditions of merchantability or fitness for a particular purpose.



PROPRIETARY AND CONFIDENTIAL
 THE INFORMATION CONTAINED IN THIS DRAWING IS THE SOLE PROPERTY OF TECHMOR, INC. ANY REPRODUCTION IN PART OR AS A WHOLE WITHOUT THE WRITTEN PERMISSION OF TECHMOR, INC. IS PROHIBITED.

		UNLESS OTHERWISE SPECIFIED:	NAME	DATE	TECHMOR INC.	
		DIMENSIONS ARE IN INCHES	DRAWN	TM		1-11-15
		TOLERANCES:	CHECKED			
		FRACTIONAL: ±	ENG APPR.			
		ANGULAR: MACH ± BEND ±	MFG APPR.			
		TWO PLACE DECIMAL ±	Q.A.			
		THREE PLACE DECIMAL ±	COMMENTS:			
		INTERPRET GEOMETRIC TOLERANCING PER:				
		MATERIAL				
		FRESH				
NEXT ASSY	USED ON	APPLICATION	DO NOT SCALE DRAWING			
			SIZE	DWG. NO.	REV	
			A		B	
			NTS	WEIGHT:	SHEET 1 OF 1	



Techmor, Inc.
 19911-D North Cove Road
 Cornelius, NC 28031
 Phone: (704) 769-0001
 Email: info@techmor.com

Datasheet #: Techmor ND-1
Revision #: A
Date: 1/10/2015