

# PS-1 Position Sensor



## FEATURES

- Compact Size
- Non-Contact Operation
- Lightweight
- 6-24V Operation
- Harsh Environment
- Motorsport Connector

## APPLICATIONS

- Suspension
- Test Rigs
- Feedback Controls
- Measurement Tools
- Manufacturing

## RELATED PRODUCTS

Techmor offers many products to interface the PS-1:

- Wireless Communication
- Numeric Display
- Smartphone Interface
- CAN Bus Interface

## ADDITIONAL INFORMATION

More information: [www.techmor.com](http://www.techmor.com)



**Techmor, Inc.**  
19911-D North Cove Road  
Cornelius, NC 28031  
Phone: (704) 769-0001  
Email: [info@techmor.com](mailto:info@techmor.com)

**Datasheet #:** Techmor PS-1  
**Revision #:** A  
**Date:** 1/10/2015

## Product Highlights

The Techmor PS-1 unit measures the position of a ring magnet along its axis. The unit is compact, lightweight and non-contact. New space-saving design allows easy integration into existing systems. The PS-1 is a high-performance replacement for linear potentiometers and string/cable potentiometers.

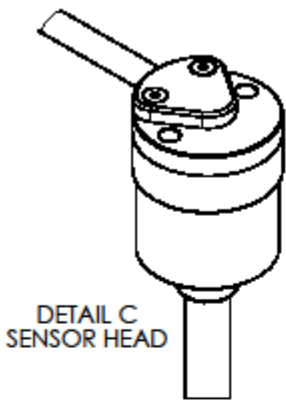
## Technical Specifications

Electrical		
Power	12 to 24	volts
Analog Output	0.25 to 4.75	volts
Current	84	mA

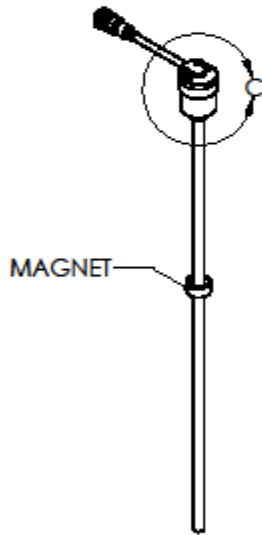
Mechanical	
Dimensions	15.6 in x 1.05 in (diam) (397 mm x 27 mm (diam))
Stroke	12 in (305mm)
Weight	65 grams
Magnet Size	OD 0.68 in ID 0.53 in H 0.31 in (OD 17.2 mm ID 13.5 mm H 7.9 mm)
Magnet Weight	3.3 grams

Wiring	
Lightspeed Composite Motorsport Connector LSL606-05PN	Pin 1 : Power Pin 2 : 0-5V Signal Output Pin 3 : Not Connected
Mates with Deutsch Autosport ASL006-05SN-HE and ASL106-05SN-HE	Pin 4 : Not Connected Pin 5 : Ground

Copyright © January 11, 2015 Techmor Inc. All rights reserved. This document is provided for information purposes only; contents are subject to change without notice. It is not warranted to be error-free, nor subject to any other warranties or conditions including implied warranties and conditions of merchantability or fitness for a particular purpose.

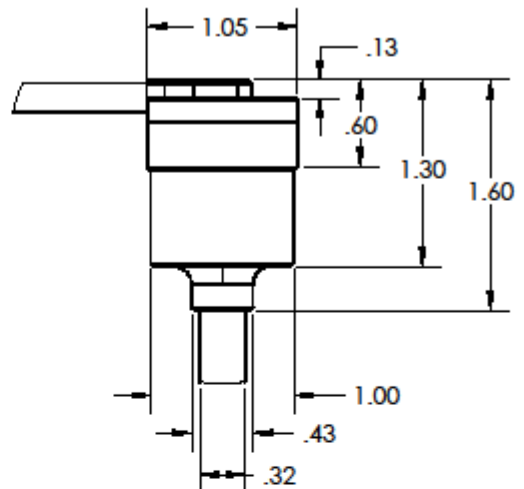
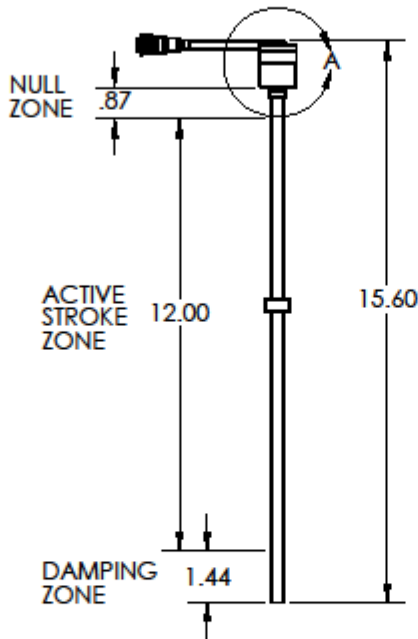


DETAIL C  
SENSOR HEAD

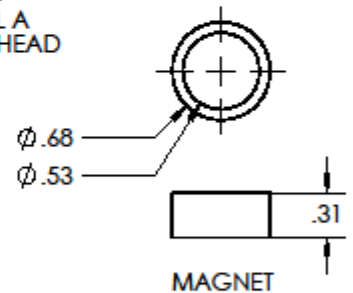


MAGNET

CONNECTOR PINOUT:  
 PIN 1 12V-24V  
 PIN 2 SIG OUT  
 PIN 3 N/C  
 PIN 4 N/C  
 PIN 5 GND



DETAIL A  
SENSOR HEAD



MAGNET

**PROPRIETARY AND CONFIDENTIAL**  
 THE INFORMATION CONTAINED IN THIS DRAWING IS THE SOLE PROPERTY OF TECHMOR, INC. ANY REPRODUCTION IN PART OR AS A WHOLE WITHOUT THE WRITTEN PERMISSION OF TECHMOR, INC. IS PROHIBITED.

		UNLESS OTHERWISE SPECIFIED:	NAME	DATE	<b>TECHMOR INC.</b>	
		DIMENSIONS ARE IN INCHES	DRAWN	TM		12-3-2014
		TOLERANCES:	CHECKED			
		FRACTIONAL: ±	ENG APPR.			
		ANGULAR: MACH ± BEND ±	MFG APPR.			
		TWO PLACE DECIMAL ±	Q.A.			
		THREE PLACE DECIMAL ±	COMMENTS:		TITLE:	
		INTERPRET GEOMETRIC TOLERANCING PER:			PS-1 POSITION SENSOR	
		MATERIAL:			SIZE DWG. NO. REV	
		FRESH			A           D	
NEXT ASSY	USED ON	DO NOT SCALE DRAWING			NTS WEIGHT: SHEET 1 OF 1	



**Techmor, Inc.**  
 19911-D North Cove Road  
 Cornelius, NC 28031  
 Phone: (704) 769-0001  
 Email: info@techmor.com

Datasheet #: Techmor PS-1  
 Revision #: A  
 Date: 1/10/2015